
Comfort-Cire®

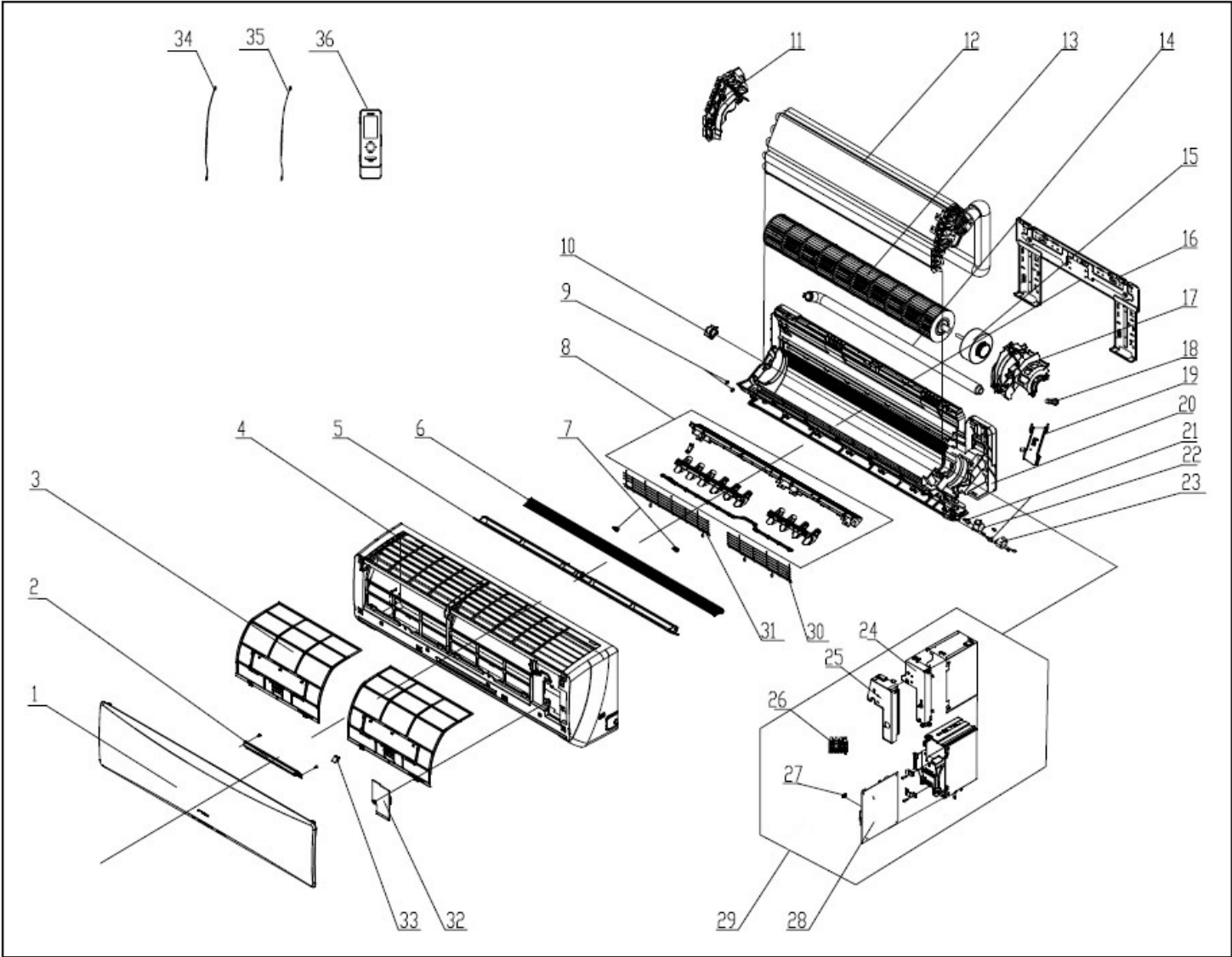
Century®

REPLACEMENT PARTS LIST

InverterFlex Series®
Indoor High Wall Mini-Split

B-VFH12MB-1
B-VFH12MB-1A

EXPLODED VIEW



REPLACEMENT PARTS

Location	Part Name	Quantity	Part No.
1	Front Panel	1	27230007938
2	Display Board	1	30565140
3	Filter Sub-Assembly	2	1112211602
4	Front Case Sub-Assembly	1	2001288902
5	Guide Louver	1	10512267
6	Guide Louver (Small)	1	10512127
7	Crank	2	10582070
8	Helicoid Tongue Sub-Assembly	1	2611224404
9	Left Axle Bushing	2	10512037
10	Propeller Axle Bushing	1	1054202101
11	Evaporator Support	1	24212114
12	Evaporator Assembly	1	01002641_L61437
13	Cross Flow Fan	1	10352033
14	Drainage Hose	1	05230014
15	Fan Motor	1	15012510
16	Wall Mounting Frame	1	01252484
17	Motor Press Plate	1	26112209
18	Rubber Plug (Water Tray)	1	76712012
19	Connecting Pipe Clamp	1	2611216402
20	Rear Case Assembly	1	2220216103
21	Axle Bushing	3	10542036
22	Stepping Motor	1	15212126
23	Stepping Motor	1	15212125
24	Shield Cover of Electric Box	1	01592084
25	Electric Box Cover	1	2012240903
26	Terminal Board	1	42011233
27	Jumper	1	4202300108
28	Main Board	1	30138000315
29	Electric Box Assembly	1	10000200569
30	Rear Grill	1	01472030
31	Rear Grill	1	01472029
32	Electric Box Cover 2	1	2012207504
33	Screw Cover	1	24252016
34	Temperature Sensor	1	390000451
35	Temperature Sensor	1	390000598
36	Remote Controller	1	30510138_L61437
Not Shown	Holder for Remote Controller	1	26150008
Not Shown	Carton	1	51029966122

Due to ongoing product improvements, specifications and dimensions are subject to change and correction without notice or incurring obligations. Determining the application and suitability for use of any product is the responsibility of the installer. Additionally, the installer is responsible for verifying dimensional data on the actual product prior to beginning any installation preparations.

Incentive and rebate programs have precise requirements as to product performance and certification. All products meet applicable regulations in effect on date of manufacture; however, certifications are not necessarily granted for the life of a product.

Therefore, it is the responsibility of the applicant to determine whether a specific model qualifies for these incentive/rebate programs.

Comfort-Aire®  **Century**®